



## RCJYZ Standoff Insulator M10

### Series: M10

Insulation material using flame retardant (UL94V-0) high strength, excellent electrical properties of plastic;

There are three types of copper, aluminum and steel inserts to choose from;

Used in power supply or cabinet to play the role of insulation and support for live parts;

Insulation resistance greater than 500MΩ;

Working temperature: -30 °C ~ 120 °C

According to customer requirements assembly screw;

Can be customized according to customer requirements of different colors;

Customers can request a variety of customized products.

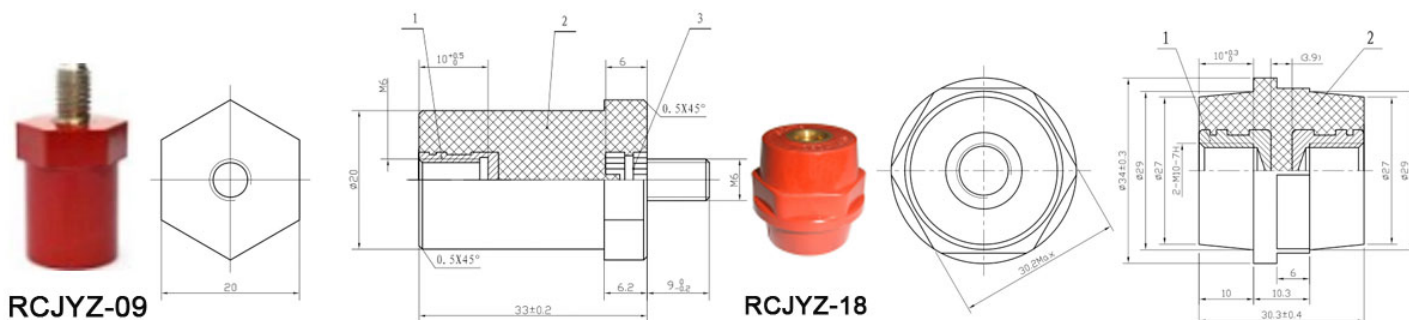


RCJYZ Standoff Insulator RCJYZ Standoff Insulator M10

### Specification

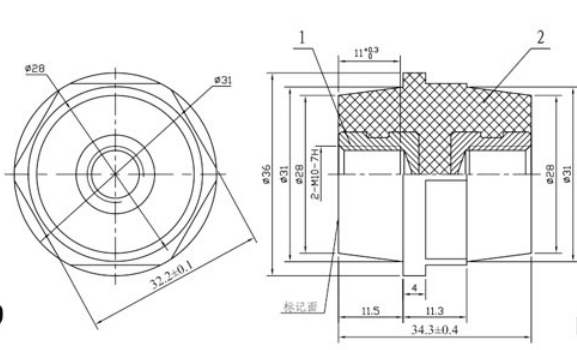
| Item No.   | Thread      | External Sizes (mm) (OD*H) | Rated Voltage (V) | Withstand Voltage (V/min) | Max Thread Screw Moment (Kgf.cm) | Insulate Material | Color | Insert material |
|------------|-------------|----------------------------|-------------------|---------------------------|----------------------------------|-------------------|-------|-----------------|
| RCJYZ-09   | M10x14.5    | 47.1x50                    | 1500              | 5000                      | 350                              | BMC               | Red   | Copper          |
| RCJYZ-18   | M10x10      | 34xφ30.3                   | 1500              | 5000                      | 305                              | PF                | Red   | Copper          |
| RCJYZ-19   | M10x11      | φ36x34.3                   | 1500              | 5000                      | 305                              | PF                | Red   | Copper          |
| RCJYZ-24D  | M10X18      | φ33x45                     | 1500              | 10000                     | 300                              | BMC               | Red   | Copper          |
| RCJYZ-51   | M10X1.75x17 | φ45x51                     | 600               | 3000                      | 100                              | BMC               | Red   | Copper          |
| RCJYZ-54   | M10X18      | φ44.5x50.8                 | 1500              | 5000                      | 500                              | PF                | Red   | Copper          |
| RCJYZ-54B  | M10X18      | φ45*51                     | 1000              | 3000                      | 678                              | BMC               | Red   | Copper          |
| RCJYZ-124A | M10x12      | φ41*35                     | 600               | 5000                      | 124                              | BMC               | Grey  | Copper          |

### Product Show

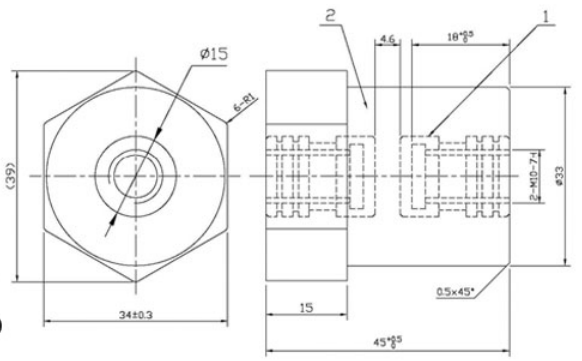




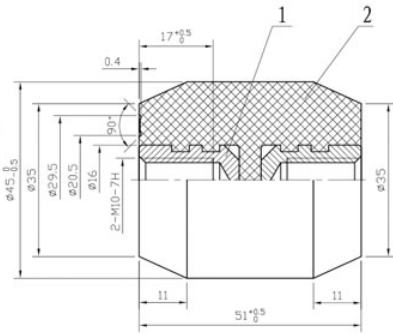
RCJYZ-19



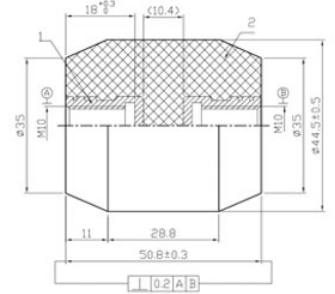
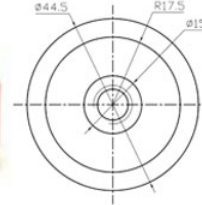
RCJYZ-24D



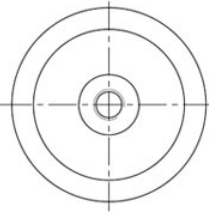
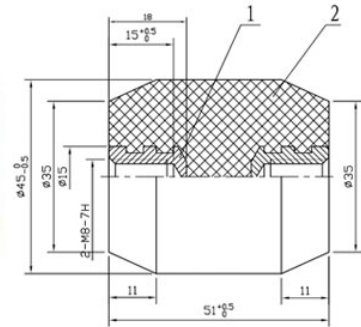
RCJYZ-51



RCJYZ-54



RCJYZ-54B



RCJYZ-124A

