


RCCN®

RCJYZ Standoff Insulator M8

Series: M8

Insulation material using flame retardant (UL94V-0) high strength, excellent electrical properties of plastic;

There are three types of copper, aluminum and steel inserts to choose from;

Used in power supply or cabinet to play the role of insulation and support for live parts;

Insulation resistance greater than 500MΩ;

Working temperature: -30 °C ~ 120 °C

According to customer requirements assembly screw;

Can be customized according to customer requirements of different colors;

Customers can request a variety of customized products.



RCJYZ Standoff Insulator RCJYZ Standoff Insulator M8

Specification

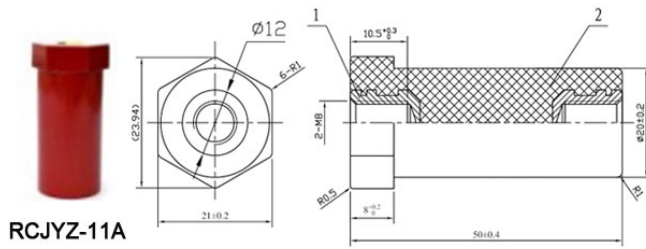
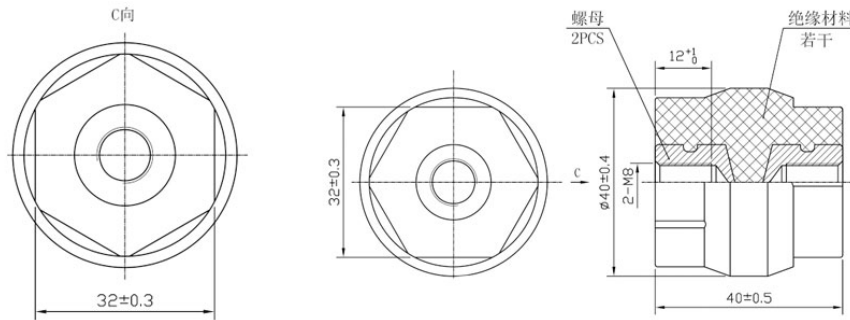
Item No.	Thread	External Sizes (mm) (OD*H)	Rated Voltage (V)	Withstand Voltage (V/min)	Max Thread Screw Moment (Kgf.cm)	Insulate Material	Color	Insert materi
RCJYZ-06A(C)	M8x8(C depth:10.8mm)	Φ30*30	1500	5000	155	PF	Red	Copper
RCJYZ-07H	M8x8	Φ40*40	1500	5000	200	BMC	Red	Copper
RCJYZ-11A	M8X10.5	Φ24*50	800	5000	110	PF	Red	Copper
RCJYZ-11C	M8X10.5	Φ23.1*50	800	5000	110	BMC	Red	Copper
RCJYZ-11E	M8X10.5	Φ23.1*50	800	5000	110	PF	Red	Copper
RCJYZ-11G	M8X10.5	Φ23.1*50	1000	8000	130	BMC	Red	Copper
RCJYZ-12C	M8X10.5	Φ23.1*30	600	5000	100	BMC	Red	Copper
RCJYZ-12F	M8X10.5	Φ23.1*30	600	5000	100	BMC	Red	Copper
RCJYZ-12H	M8X10.5	Φ23.1*30	600	5000	100	PF	Black	Copper
RCJYZ-12N	M8x20(Screw)	Φ23.1x30	600	5000	100	PF	Black	Copper
RCJYZ-14Y	M8X10.5	Φ28*50	1500	8000	150	BMC	Red	Copper
RCJYZ-15	M8X10.5	Φ23.1*30.5	1500	5000	195	PF	Red	Copper
RCJYZ-16	M8X10.5	Φ23.1*50	1500	5000	195	PF	Red	Copper
RCJYZ-16E	M8x10.5	Φ20/ Φ23x50	1500	5000	120	BMC	Red/Black	Copper
RCJYZ-17E	M8x10.5	Φ21x45	1500	8000	120	PF	Red	Copper
RCJYZ-17H	M8X14	Φ23.1*45	1500	8000	120	PF	Red	Copper
RCJYZ-								

21A	M8X10.5	Φ30*65	1500	8000	200	BMC	Red	Copper
RCJYZ-24Y	M8x8	Φ39*45	1500	5000	300	BMC	Red	Copper
RCJYZ-24F	M8X10.5	Φ39*45	1500	5000	150	PF	Red	Copper
RCJYZ-28A	M8X10.5	Φ45.5x40	1000V	5000	150	BMC	Red	Copper
RCJYZ-29M	M8X10.5	Φ23.1*40	600	3000	200	BMC	Red	Copper
RCJYZ-30Y	M8*10.5mm	Φ20x35	800V	5000	100	PF	Black	Copper
RCJYZ-32C	M8X10.5	Φ48*50	2000	6000	150	PF	Red	Copper
RCJYZ-43	M8X9.5	Φ26x26	600V	3000	100	BMC	Red	Copper
RCJYZ-51	M8X10.5	Φ30x51	1500V	8000	150	BMC	Red	Copper
RCJYZ-53	M8X10	36X50.8	2000V	5000	350	BMC	Red	Copper
RCJYZ-67	M8x9.5	45x30	600	3000	195	BMC	Red	Copper
RCJYZ-70Y	M8X10.5	Φ20x41	1000	8000	150	BMC	Red	Copper
RCJYZ-99Z1	M8X6.5	Φ25*25	1000	5000	60	BMC	Red	Copper
RCJYZ-102	M8x8	Φ36*35	600	5000	260	BMC	Red	Copper
RCJYZ-102	M8x8	Φ36*35	600	5000	260	BMC	Red	Copper

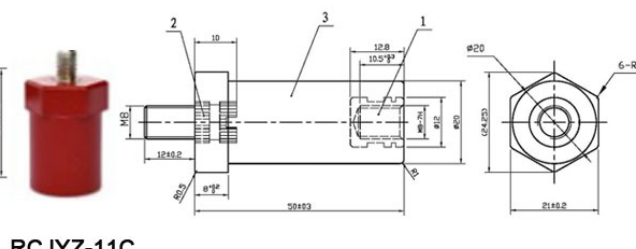
Product Show



RCJYZ-07H



RCJYZ-11A



RCJYZ-11C